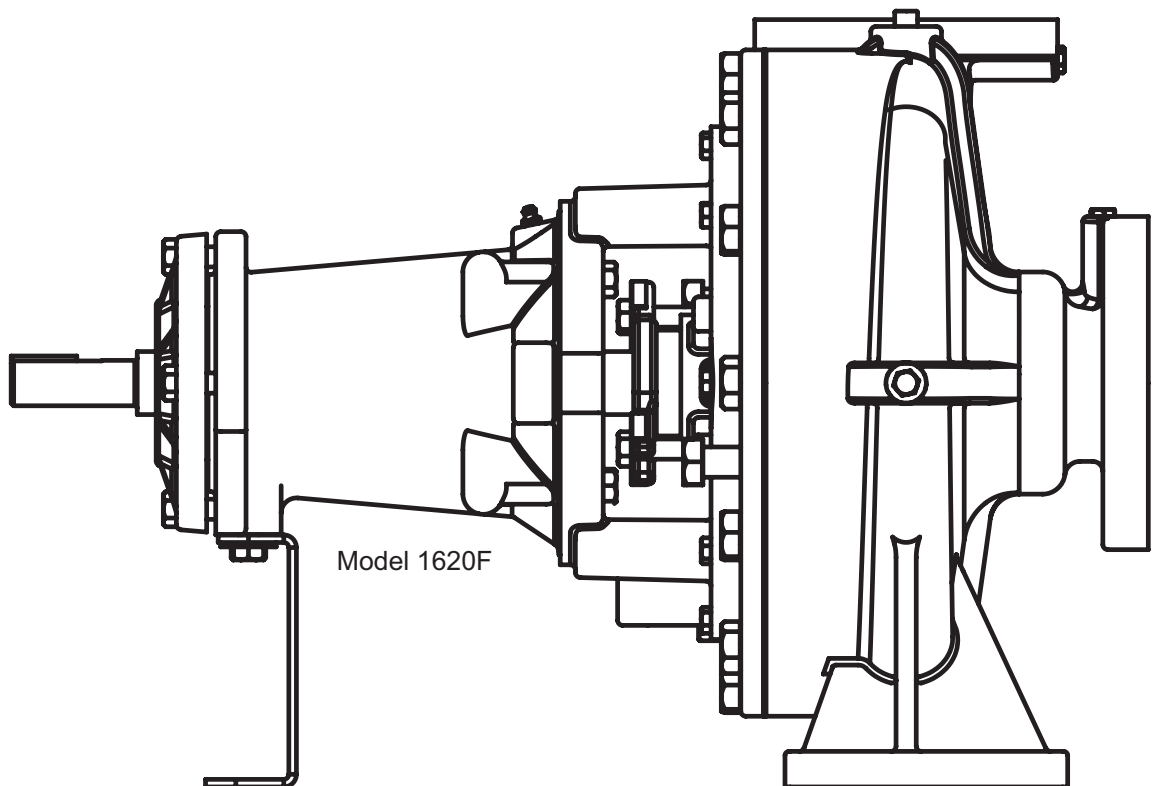




FAIRBANKS NIJHUIS™



MODEL 1620F END SUCTION FIRE PUMPS

REPAIR PARTS INDEX



NOTE! To the installer: Please make sure you provide this manual to the owner of the equipment or to the responsible party who maintains the system.

TABLE OF CONTENTS:

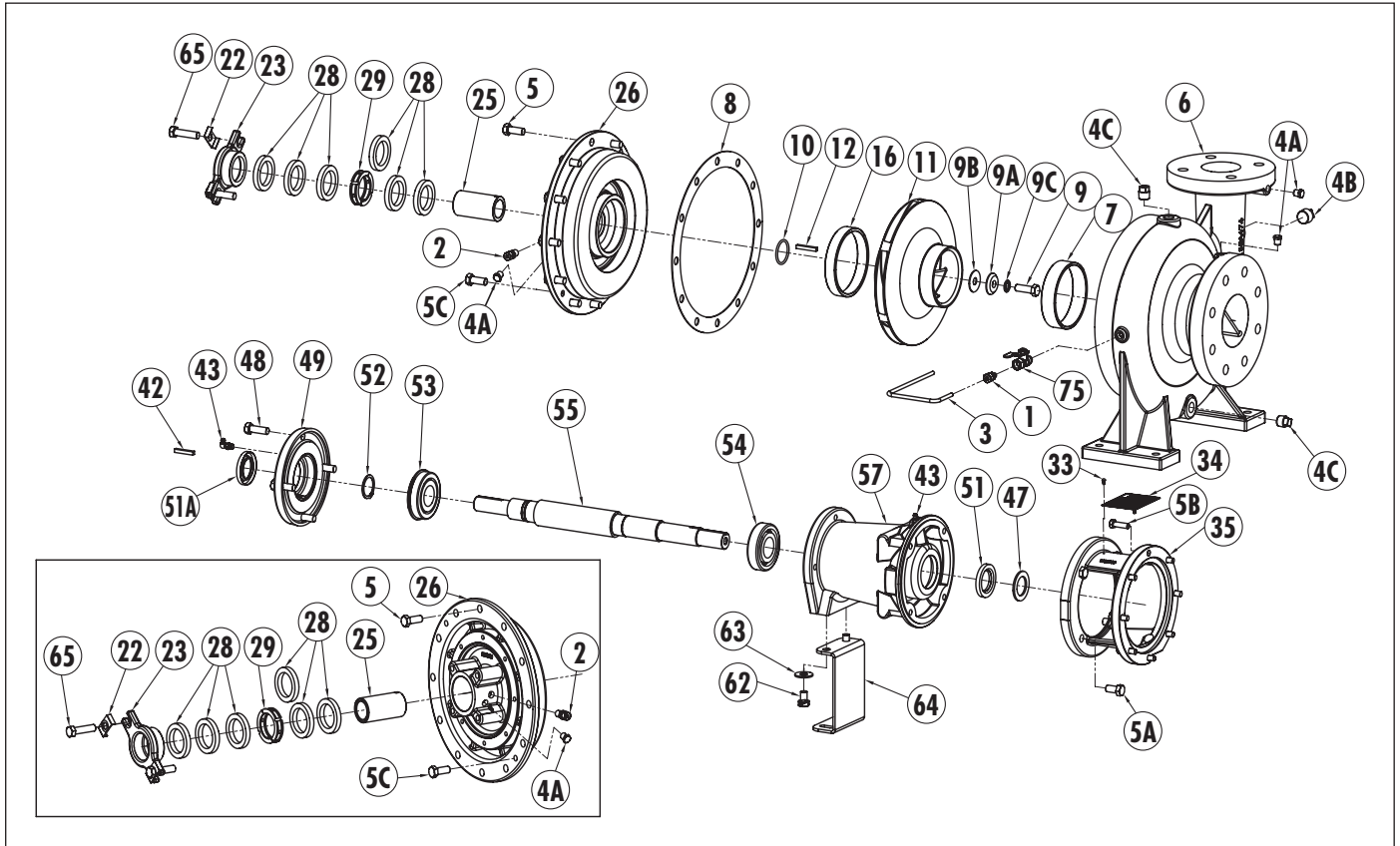
PUMP MODEL	DESCRIPTION	PAGE
1620F	Horizontal Power Frame Mounted Exploded view and piece numbers	3

PUMP SIZE	PAGE
2-1/2" 1621F through 6" 1621F Part Numbers	4
2" 1623F through 6" 1623F Part Numbers	5
8" 1622F Part Numbers	6

MODEL 1620F FRAME MOUNTED PUMPS:

A cross reference table for the Power Frames by pump size can be found in the 1620F Dimension Pages, reference FMF-01-10-911.5-201 through FMF-01-10-911.5-211.

MODEL 1620F PIECE NUMBERS:



Model 1620F List of Parts

1.	Compression Fitting	12.	Impeller Key	48.	Capscrew
2.	Compression Fitting	16.	Back Wear Ring	49.	Bearing Cap
3.	Tubing	22.	Gland Clamp	51/51A.	Lip Seal
4A/4B/4C.	Pipe Plug	23.	Packing Gland	52.	Retaining Ring
5/5A/B/C.	Capscrew	25.	Shaft Sleeve	53.	Bearing
6.	Casing	26.	Pump Packing Cover	54.	Bearing
7.	Wear Ring	28.	Packing	55.	Shaft
8.	Gasket	29.	Lantern Ring	57.	Frame
9.	Impeller Screw	33.	Nameplate Screw	62.	Capscrew
9A.	Washer	34.	Nameplate	63.	Washer
9B.	Gasket	35.	Motor Bracket	64.	Foot Support
9C.	Capscrew Seal	42.	Key	65.	Capscrew
10.	O-Ring	43.	Grease Fitting	75.	Ball Valve
11.	Impeller	47.	Water Slinger		

FAIRBANKS NIJHUIS RESERVES THE RIGHT TO SUBSTITUTE MATERIALS WITHOUT NOTICE.

NOTE: WHEN ORDERING SPARE PARTS ALWAYS INCLUDE THE PUMP TYPE, SIZE, SERIAL NUMBER, AND THE PIECE NUMBER FROM THE EXPLODED VIEW IN THIS MANUAL. ORDER ALL PARTS FROM YOUR LOCAL AUTHORIZED DISTRIBUTOR, OR THE FACTORY AT NORTH AURORA, ILLINOIS.

MODEL 1620F
2-1/2" 1621F – 6" 1621F PARTS LIST:

PC. NO.	DESCRIPTION	QTY	2-1/2" 1621F PF#3 (L)	4" 1621F PF#3 (L)	4" 1622F PF#21 (XL)	5" 1622F PF#21 (XL)	6" 1621F PF#21 (XL)
6	CASING	1					
	CASING (125/125)		180-8362-055	180-8376-055	180-8378-055	180-8386-055	180-8392-055
	CASING (125/250)		180-8363-055	180-8377-055	180-8379-055	180-8387-055	180-8393-055
	CASING (250/250)		180-8494-055	180-8501-055	180-8502-055	180-8506-055	180-8509-055
7	WEAR RINGS	1					
	WEAR RING (Back)		676-2167-208	676-2170-208	676-2158-208	676-2158-208	676-2171-208
	WEAR RING (Front)		676-8104-208	676-8109-208	676-8109-208	676-8111-208	676-8113-208
8	CASING GASKET	1	364-8004-603	364-8004-603	364-8000-603	364-8000-603	364-8017-603
11	IMPELLER	1	443-8114-104	443-8132-104	443-8135-104	443-8146-104	443-8153-104
23	PACKING GLAND	1	372-0377-208	372-0377-208	372-0544-208	372-0544-208	372-0544-208
25	SHAFT SLEEVE	1	756-0524-208	756-0524-208	756-0705-208	756-0705-208	756-0705-208
26	PACKING COVER	1	812-1121-010	812-1121-010	812-1143-010	812-1143-010	812-1142-010
28	PACKING*	6	564-0110-802	564-0110-802	564-0154-802	564-0154-802	564-0154-802
29	LANTERN RING*	1	676-0009-512	676-0009-512	676-0972-512	676-0972-512	676-0972-512
42-57	POWER FRAME	1	355-0014-644	355-0014-644	355-0301-644	355-0301-644	355-0301-644
55	PUMP SHAFT	1	728-4986-063	728-4986-063	728-7509-063	728-7509-063	728-7509-063
N/A	PACKING SEAL KIT	1	476-1065-644F	476-1065-644F	476-1066-644F	476-1066-644F	476-1066-644F
N/A	POWER FRAME REPAIR KIT						
	GREASE LUBE	1	476-1068-644F	476-1068-644F	476-1069-644F	476-1069-644F	476-1069-644F

*Not all pump assemblies contain a lantern ring. When lantern ring is present, subtract 1 piece of packing.

PACKING SEAL KIT CONTAINS:**PC # DESCRIPTION**

8	Gasket
9	Capscrews
9A	Washer
9B	Gasket
9C	Capscrew Seal
10	O-Ring
12	Impeller Key
22	Gland Clamp
25	Sleeve
28	Packing
29	Lantern Ring
65	Capscrews

POWER FRAME REPAIR KIT CONTAINS:**PC # DESCRIPTION**

47A	Slinger
50	Gasket
51	Seal
51A	Seal
52	Retaining Ring
53	Bearing
54	Bearing

MODEL 1620F
2" 1623F – 6" 1623F PARTS LIST:

PC. NO.	DESCRIPTION	QTY	2" 1623F PF#3 (L)	3" 1623F PF#21 (XL)	2-1/2" 1623F PF#3 (L)	3" 1624F PF#21 (XL)	6" 1623F PF#21 (XL)
6	CASING	1					
	CASING (125/125)		180-8358-055	180-8372-055	180-8366-055	180-8374-055	180-8396-055
	CASING (125/250)		180-8359-055	180-8373-055	180-8367-055	180-8375-055	180-8397-055
	CASING (250/250)		180-8492-055	180-8499-055	180-8496-055	180-8500-055	180-8511-055
7	WEAR RINGS	1					
	WEAR RING (Back)		N/A	676-2165-208	N/A	676-2169-208	676-2168-208
	WEAR RING (Front)		676-8103-208	676-8108-208	676-8105-208	676-8108-208	676-8114-208
8	CASING GASKET	1	364-8009-603	364-8009-603	364-8011-603	364-8011-603	364-8011-603
11	IMPELLER	1	443-8110-104	443-8127-104	443-8119-104	443-8130-104	443-8156-104
23	PACKING GLAND	1	372-0377-208	372-0544-208	372-0377-208	372-0544-208	372-0544-208
25	SHAFT SLEEVE	1	756-0524-208	756-0705-208	756-0524-208	756-0705-208	756-0705-208
26	PACKING COVER	1	812-1132-010	812-1136-010	812-1137-010	812-1139-010	812-1140-010
28	PACKING*	6	564-0110-802	564-0154-802	564-0110-802	564-0154-802	564-0154-802
29	LANTERN RING*	1	676-0009-512	676-0972-512	676-0009-512	676-0972-512	676-0972-512
42-57	POWER FRAME	1	355-0014-644	355-0301-644	355-0014-644	355-0301-644	355-0301-644
55	PUMP SHAFT	1	728-4986-063	728-7509-063	728-4986-063	728-7509-063	728-7509-063
N/A	PACKING SEAL KIT	1	476-1065-644F	476-1066-644F	476-1065-644F	476-1066-644F	476-1066-644F
N/A	POWER FRAME REPAIR KIT GREASE LUBE	1	476-1068-644F	476-1069-644F	476-1068-644F	476-1069-644F	476-1069-644F

*Not all pump assemblies contain a lantern ring. When lantern ring is present, subtract 1 piece of packing.

PACKING SEAL KIT CONTAINS:

PC #	DESCRIPTION
8	Gasket
9	Capscrews
9A	Washer
9B	Gasket
9C	Capscrew Seal
10	O-Ring
12	Impeller Key
22	Gland Clamp
25	Sleeve
28	Packing
29	Lantern Ring
65	Capscrews

POWER FRAME REPAIR KIT CONTAINS:

PC #	DESCRIPTION
47A	Slinger
50	Gasket
51	Seal
51A	Seal
52	Retaining Ring
53	Bearing
54	Bearing

MODEL 1620F
8" 1622F PARTS LIST:

PC. NO.	DESCRIPTION	QTY	8" 1622F PF#21 (XL)
6	CASING	1	
	CASING (125/125)		180-8398-055
	CASING (125/250)		180-8399-055
	CASING (250/250)		180-8512-055
7	WEAR RINGS	1	
	WEAR RING (Back)		676-8115-208
	WEAR RING (Front)		676-8115-208
8	CASING GASKET	1	364-8011-603
11	IMPELLER	1	443-8158-104
23	PACKING GLAND	1	372-0544-208
25	SHAFT SLEEVE	1	756-0705-208
26	PACKING COVER	1	812-1140-010
28	PACKING*	6	564-0154-802
29	LANTERN RING*	1	676-0972-512
42-57	POWER FRAME	1	355-0301-644
55	PUMP SHAFT	1	728-7509-063

N/A	PACKING SEAL KIT	1	476-1066-644F
N/A	POWER FRAME REPAIR KIT GREASE LUBE	1	476-1069-644F

*Not all pump assemblies contain a lantern ring. When lantern ring is present, subtract 1 piece of packing.

PACKING SEAL KIT CONTAINS:**PC # DESCRIPTION**

8	Gasket
9	Capscrews
9A	Washer
9B	Gasket
9C	Capscrew Seal
10	O-Ring
12	Impeller Key
22	Gland Clamp
25	Sleeve
28	Packing
29	Lantern Ring
65	Capscrews

POWER FRAME REPAIR KIT CONTAINS:**PC # DESCRIPTION**

47A	Slinger
50	Gasket
51	Seal
51A	Seal
52	Retaining Ring
53	Bearing
54	Bearing

THIS PAGE INTENTIONALLY LEFT BLANK

WARRANTY TO BE PLACED HERE